



# Thermia Aermec UL



Aermec UL

## Keeping you warm and cool.

The **Thermia Aermec UL** is a fan convector that helps you maintain an even and comfortable indoor temperature all year round.

Explained in rather simple terms, the fan convector is a "heater" that blows hot or cold air, depending on your needs at the time.

The Thermia Aermec UL delivers optimal performance when incorporated as part of the Thermia climate system. It can also be used with any other type of heat source, although in that case it only produces heat.

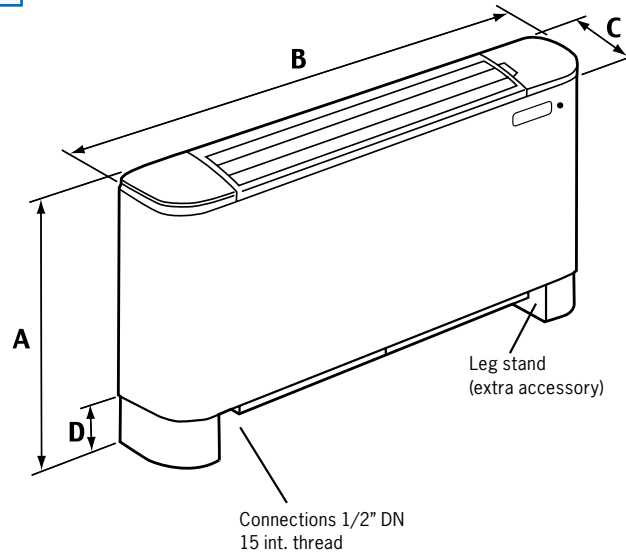
The Thermia Aermec UL is a perfect choice when converting from direct electrical heating. It is designed for floor or wall installation.



# Technical data Aermec UL

## Dimensions

Aermec UL	A (mm)	B (mm)	C (mm)	D (mm)
11	606	640	173	94
16	606	750	173	94
26	606	980	173	94
36	606	1200	173	94



Aermec UL		11	16	26	36
<b>Heating<sup>1</sup></b>	Output capacity max	1150 W	1700 W	2750 W	3540 W
	Output capacity med	835 W	1240 W	2280 W	2905 W
	Output capacity min	605 W	900 W	1720 W	2105 W
	Natural conv. rating	139 W	326 W	527 W	725 W
	Water flow	173 l/h	250 l/h	397 l/h	511 l/h
<b>Sound<sup>2</sup></b>	Water pressure drop	1.6 kPa	3.7 kPa	10.5 kPa	7.4 kPa
	Sound level max	42 dB (A)	44 dB (A)	44 dB (A)	44 dB (A)
	Sound level med	33 dB (A)	39 dB (A)	39 dB (A)	37 dB (A)
	Sound level min	27 dB (A)	30 dB (A)	31 dB (A)	30 dB (A)
	Motor, power rating	18 W	22 W	35 W	30 W
<b>Cooling<sup>3</sup></b>	Cooling capacity max	560 W	750 W	1215 W	1650 W
	Cooling capacity med	435 kW	595 kW	1065 kW	1350 kW
	Cooling capacity min	330 kW	430 kW	850 kW	1010 kW
	Water flow	144 l/h	206 l/h	349 l/h	487 l/h
	Water pressure drop	1.9 kPa	3.8 kPa	11.0 kPa	9.5 kPa
<b>Weight</b>		12 kg	13 kg	16 kg	19 kg

1) Rating is given at room temperature of 20 °C and water circulation temperature of 50 °C.

2) Sound pressure level at 10m<sup>2</sup> Sabine.

3) Rating is given at room temperature of 24 °C, 50% relative humidity and water circulation temperature of 8 °C.