

Thermia Cooling Module Passive



Cooling Module Passive
Atlas/Calibra

Let the heat pump do the cooling.

The **Thermia Passive Cooling Module** enables your heat pump to deliver cool air to your home. The module only starts up when you want cool air. Otherwise, your heat pump works as normal.

The cooling module works with *passive cooling* – also known as free cooling – which is ideal in homes that only occasionally require cooling or if you want a cooler temperature in just a few specific rooms. By circulating the cool liquid in the collector loop (in the drill hole, horizontal loop or lake), cool air is created at a cost equivalent to the energy consumption of a 50-inch modern LCD television.

The Thermia Cooling Module Passive is included as standard in Thermia Calibra Cool and Thermia Comfort. All other Thermia heat pumps are compatible with the passive cooling module.



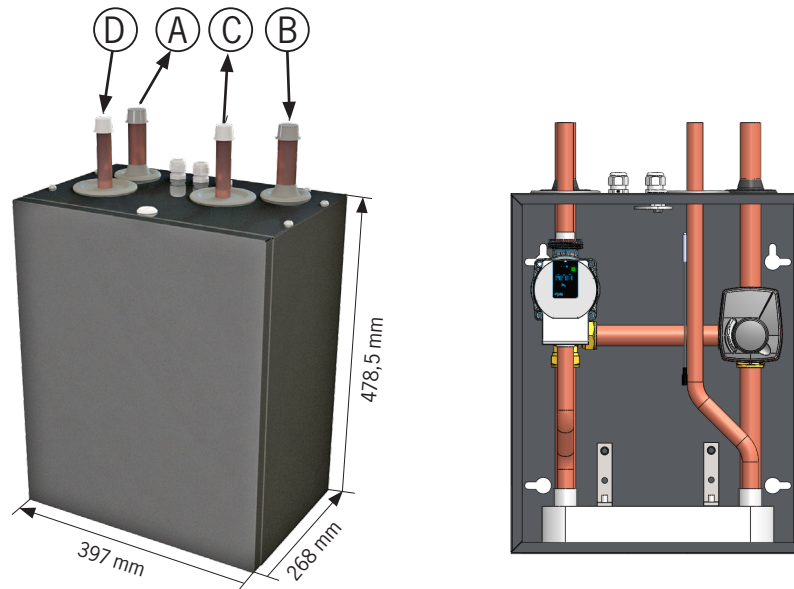
Cooling Module Passive
Optimum G3/Optimum



Technical data Cooling Module Passive

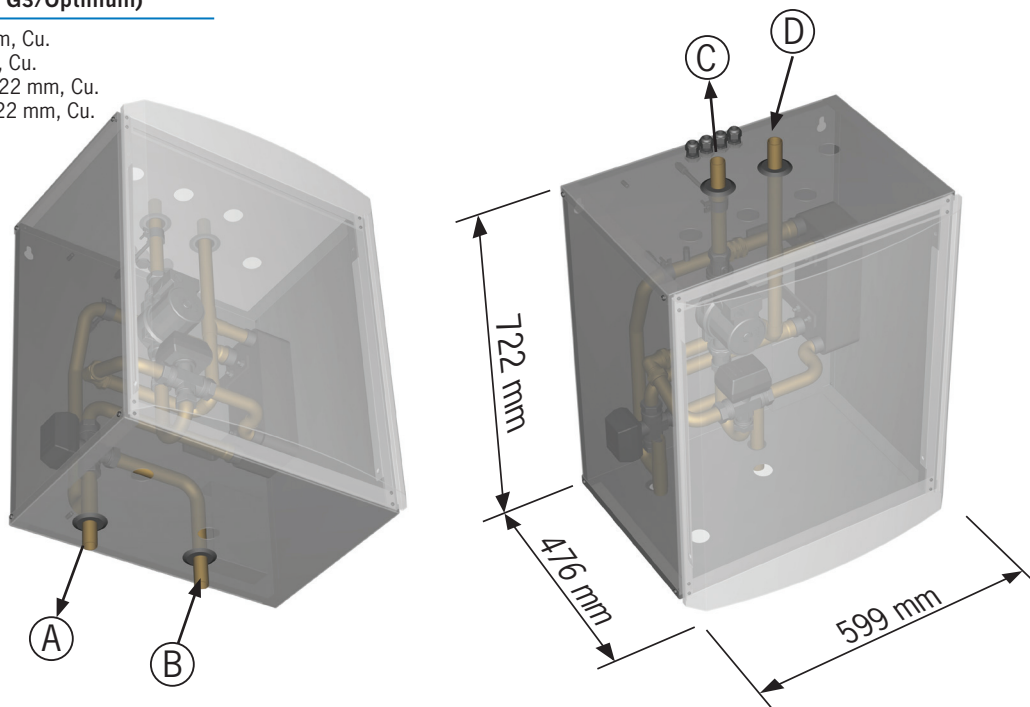
TCM-P PT1000 Cooling Module Passive Connection (Atlas/Calibra)

- A Brine line out Ø28 mm, Cu.
- B Brine line in Ø28 mm, Cu.
- C Cooling supply line Ø22 mm, Cu.
- D Cooling return line Ø22 mm, Cu.



TCM-P Opti Cooling Module Passive Connection (Optimum G3/Optimum)

- A Brine line out Ø28 mm, Cu.
- B Brine line in Ø28 mm, Cu.
- C Cooling supply line Ø22 mm, Cu.
- D Cooling return line Ø22 mm, Cu.



Cooling Module Passive

Weight (Atlas /Calibra)	16,3 kg
Weight (Optimum G3/Optimum)	43 kg